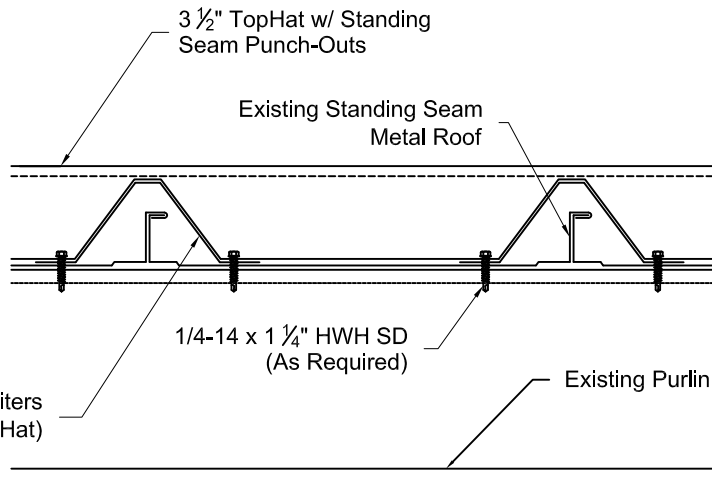


No Deflection Limiters - Field Zone

As Determined by Engineering



Deflection Limiters - Edge and Corner Zones (if required)

As Determined by Engineering

3 1/2" TOPHAT OVER STANDING SEAM



TopHat Framing Systems, LLC

OH: (888) 459-0421

TX: (866) 361-4141

www.tophatframing.com